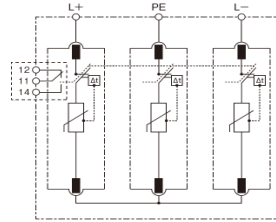
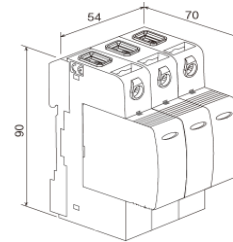


OTOWA Power line Type2 SPD PUSA for Photovoltaic system

Modular multipole SPD with three-step d.c. switching device for PV system with remote signalling contact for monitoring device (floating changeover contact). EU RoHS Compliant with regulated substances



Basic Circuit Diagram



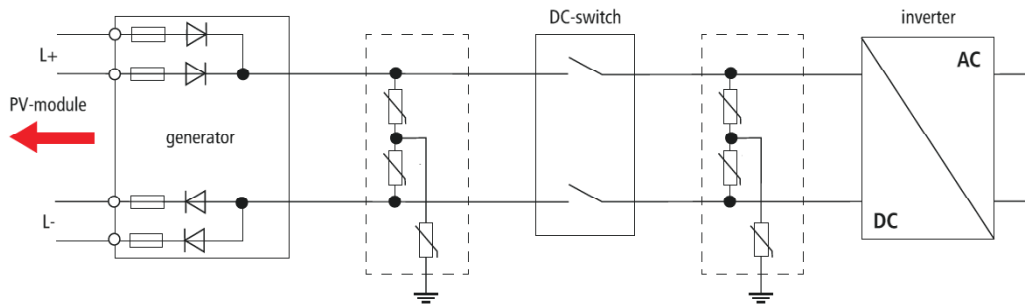
Dimension drawing

Type	PUSA-0640-YS	PUSA-1040-YS	PUSA-1540-YS
SPD according to EN 50539-31	type2		
Max. PV voltage (Ucpv)	660V	1060V	1500V
Short-circuit current rating (Iscpv)	10kA	10kA	10kA
Nominal discharge current (8/20 μs) (In) (L-L), (L-PE)	20kA	20kA	10kA
Max. discharge current (8/20 μs) (Imax) (L-L), (L-PE)	40kA		
Voltage protection level (Up) (L-L), (L-PE)	≤2.5kV	≤4.0kV	≤5.0kV
Response time (tA)	≤25ns		
Operating temperature range (Tu)	-40°C ~ +85°C		
Operating state / fault indication	green / red		
Cross-sectional area (min.)	6mm ² solid / flexible		
Cross-sectional area (max.)	35mm ² stranded / 25mm ² flexible		
For mounting on	35mm DIN rails acc. To EN 60715		
Enclosure material	thermoplastic, UL 94 V-0		
Place of installation	Indoor installations		
Degree of protection	IP 20		
Capacity	3 module(s) DIN 43880		
Conformity to environment	Comply to RoHS requirement		
Type of remote signalling contact	changeover contact		
a.c. switching capacity	250V / 1A, 125V / 3A		
Cross-sectional area for remote signalling terminals	Stranded : 0,05mm ² to 2,5mm ² Rigid : Max. φ 1,2mm		

OTOWA Type2 SPD PUSA Series



Connection



Other information



OTOWA web site



Instruction manual

Manufacturer



OTOWA ELECTRIC CO.,LTD.

5-6-20, Shioe, Amagasaki-city, Hyogo Pref. 〒661-0976, Japan

CONTACT US

<https://www.otowadenki.com>

Agency