

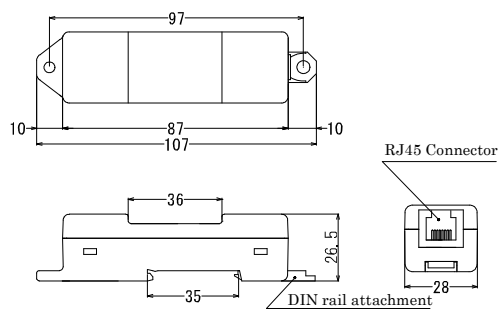
OTOWA Isolation Type Surge protector OLA-PT1000 for Data Networks and Ethernet Applications

**LAN line Isolation type Surge Protector are specialized for application of LAN.
Designed and tested to manage the transient overvoltages invading the Local Area Network of data centers, important computer room and offices connected to the broadband network.**

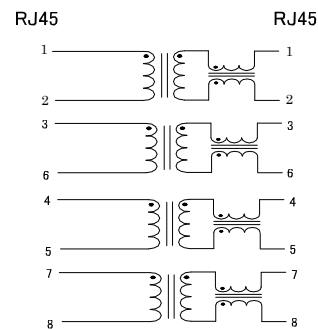


- 10BASE-T, 100BASE-T, 1000BASE-T
- DIN Rail installation
- Ground wire unnecessary
- EU RoHS Compliant with regulated substances

Type	OLA-PT1000
AC withstand Voltage	5kV 2sec
Impulse withstand voltage (1.2/50 μ s)	7kV
Insertion Loss	≤ 1.5 dB
Bandwidth	1-100MHz
Connector	RJ45 socket / RJ45 socket
Application	10BASE-T (IEEE802.3i) 100BASE-TX (IEEE802.3u) 1000BASE-T (IEEE802.3ab)
Applicable wire	UTP category 5e, 6, 6A
Available transmission classes	Up to Category 5e
Operating temperature range (Tu)	-20°C ~ +70°C
Weight	approx. 40g
Enclosure material / Color	Polycarbonate / Black
Degree of protection	IP 20
For mounting on	35mm DIN rails, or M4 screw



Dimension drawing



Basic Circuit Diagram

Other information



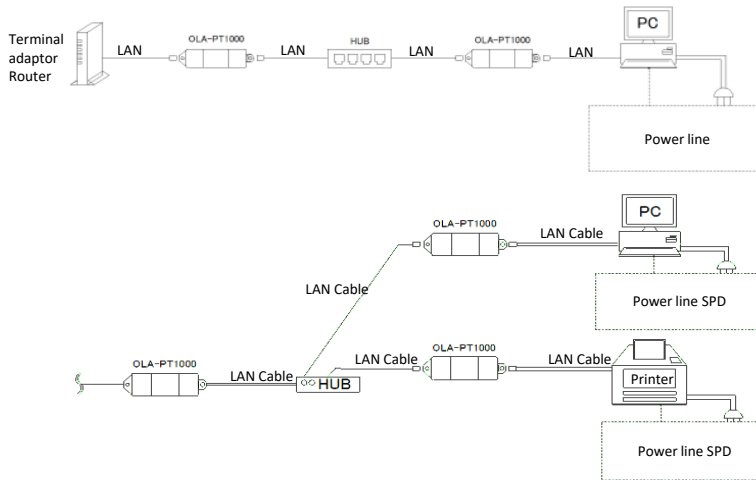
OTOWA web site



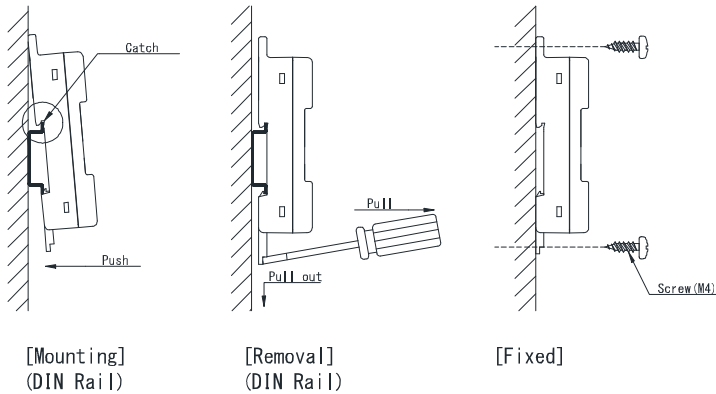
Instruction manual



Connection



Installing the fixing base



- 1) The main body is on the DIN rail with the slider down please install it.
- 2) Hook the upper hook on the back of the main unit to the DIN rail.
- 3) Push the lower side of the main unit.
- 4) When removing the slider with a flathead screwdriver push it down and pull it forward to remove the lower side of the main unit.
- 5) Remove the upper side of the main unit from the DIN rail.
- 6) For mounting on a wood board, use M4 screws in the upper and lower round holes please fix it.

installation example



Manufacturer

OTOWA ELECTRIC CO.,LTD.
 5-6-20, Shioe, Amagasaki-city, Hyogo Pref. 〒661-0976, Japan

CONTACT US

<https://www.otowadenki.com>

Agency

Blank area for agency information.