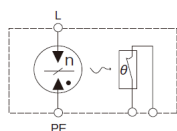
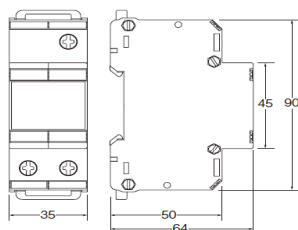


OTOWA Power line Type1 SPD (GDT) LD-22G,LD-25G

Coordinated and modular single-pole SPD with high follow current limitation.



Basic Circuit Diagram



Dimension drawing

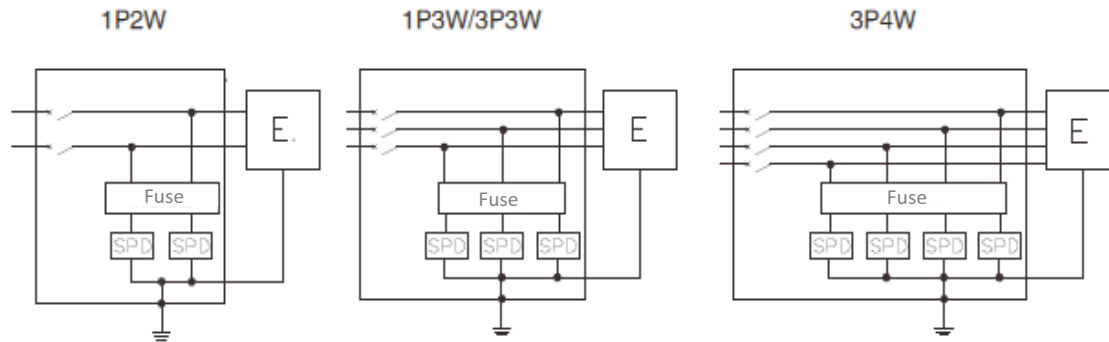
- Discharge capacity up to 50kA (10/350 μ s)
- Low voltage protection level
- EU RoHS Compliant with regulated substances

Type	LD-22G	LD-25G
SPD according to EN 61643-11/IEC 61643-11	Type1	
Nominal a.c. voltage (Un)	230V (50 / 60 Hz)	
Max. continuous operating a.c. voltage (Uc)	255V (50 / 60 Hz)	
Lightning impulse current (10/350 μ s) (Iimp)	25kA	50kA
Voltage protection level (Up)	$\leq 1.0kV$	$\leq 4.0kV$
Follow current extinguishing capability a.c. (Ifi)	17.5kArms	4.0kArms
Response time (tA)	$\leq 50ns$	
Max. backup fuse	250 A gL/gG	
Operating temperature range	-40°C ~ +85°C	-40°C ~ +80°C
Number of ports	1	
Cross-sectional area (L/N, N/PE (N)) (max.)	50mm ² stranded / 35mm ² flexible	
Recommended conductor cross section	25mm ²	
For mounting on	35mm DIN rails acc. To EN 60715	
Enclosure material	thermoplastic, UL 94 V-0	
Place of installation	Indoor installations	
Degree of protection	IP 20	
Capacity	2 module(s) DIN 43880	
Conformity to environment	Comply to RoHS requirement	
Remote signalling contact	Normal:ON Failure:OFF	
a.c. switching capacity	250V / 2A	
Cross-sectional area for remote signalling terminals	max. 1.5mm ² solid / flexible	

OTOWA Type1 SPD LD-22G,LD-25G



Connection



Other information



OTOWA web site



Instruction manual

Manufacturer



OTOWA ELECTRIC CO.,LTD.

5-6-20, Shioe, Amagasaki-city, Hyogo Pref. 〒661-0976, Japan

CONTACT US

<https://www.otowadenki.com>

Agency