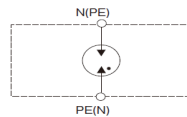
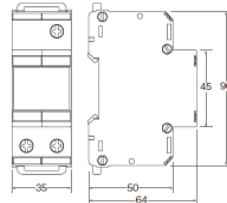


OTOWA Power line Type1 SPD (GDT) LD-210GSE (N-PE)

Coordinated and modular single-pole N-PE SPD for $U_c=255V$; with remote signalling contact for monitoring system (floating contact).



Basic Circuit Diagram



Dimension drawing

- Discharge capacity up to 100kA (10/350 μ s)
- Total current arrester specifically designed for installation in "3+1" and "1+1" circuits of TT systems according to IEC 60364-5-53 between neutral conductor N and protective conductor PE
- EU RoHS Compliant with regulated substances

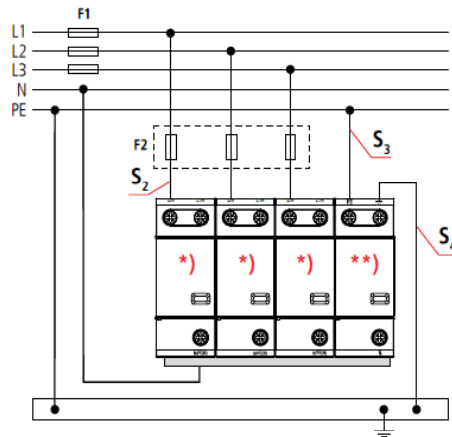
Type	LD-210GSE
SPD according to EN 61643-11/IEC 61643-11	Type 1
Max. continuous operating a.c. voltage (U_c)	255V (50 / 60 Hz)
Lightning impulse current (10/350 μ s) (I_{imp})	100kA
Voltage protection level (U_p)	$\leq 1.5kV$
Follow current extinguishing capability a.c. (I_{fi})	100Arms
Response time (tA)	$\leq 50ns$
Operating temperature range	$-40^\circ C \sim +80^\circ C$
Number of ports	1
Cross-sectional area (N, PE) (max.)	50mm ² stranded / 35mm ² flexible
Recommended conductor cross section	25mm ²
For mounting on	35mm DIN rails acc. To EN 60715
Enclosure material	thermoplastic, UL 94 V-0
Place of installation	Indoor installations
Degree of protection	IP 20
Capacity	2 module(s) DIN 43880
Conformity to environment	Comply to RoHS requirement
Remote signalling contact	Normal:ON Failure:OFF
a.c. switching capacity	250V / 2A
Cross-sectional area for remote signalling terminals	max. 1,5mm ² solid / flexible

Type1 SPD(GDT) LD-210GSE



Connection

TT/TN-S (3+1)



*) : LD-22G or LD-25G

**) : LD-210GSE

Other information



OTOWA web site



Instruction manual

Manufacturer



OTOWA ELECTRIC CO.,LTD.

5-6-20, Shioe, Amagasaki-city, Hyogo Pref. 〒661-0976, Japan

CONTACT US

<https://www.otowadenki.com>

Agency